

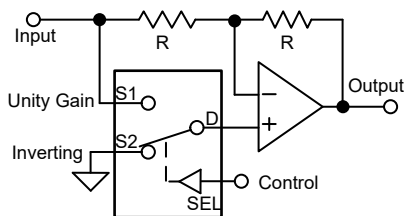
# SN4599-Q1 Automotive 5V, 2:1 (SPDT), 1-Channel Analog Switch

## 1 Features

- AEC-Q100 qualified for automotive applications:
  - Device temperature grade 1:  $-40^{\circ}\text{C}$  to  $125^{\circ}\text{C}$  ambient operating temperature
  - Device HBM classification level H1C
  - Device CDM classification level C3
- [Rail to rail operation](#)
- [Bidirectional signal path](#)
- Low on-resistance:  $7\Omega$
- Wide supply range: 2V to 5.5V
- $-40^{\circ}\text{C}$  to  $+125^{\circ}\text{C}$  Operating temperature
- Break-before-make switching

## 2 Applications

- Analog and digital switching
- I2C and SPI bus multiplexing
- [Advanced driver assistance systems \(ADAS\)](#)
- [Body electronics and lighting](#)
- [Infotainment and cluster](#)
- Zonal architecture
- [Body control modules](#)
- [Battery management systems](#)
- [Telematics](#)
- [Automotive head unit](#)



**Application Example**

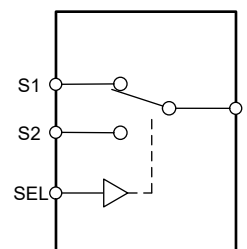
## 3 Description

The SN4599-Q1 is a general purpose complementary metal-oxide semiconductor (CMOS) single-pole double-throw (SPDT) switch. The SN4599-Q1 switches between two source inputs based on the state of the SEL pin. Wide operating supply of 2V to 5.5V allows for use in a broad array of automotive applications. The device supports bidirectional analog and digital signals on the source (Sx) and drain (D) pins ranging from GND to  $V_{DD}$ .

### Package Information

PART NUMBER	PACKAGE <sup>(1)</sup>	PACKAGE SIZE <sup>(2)</sup>
SN4599-Q1	DBV (SOT-23, 6)	2.9mm × 2.8mm

- (1) For more information, see [Section 11](#)
- (2) The package size (length × width) is a nominal value and includes pins, where applicable.



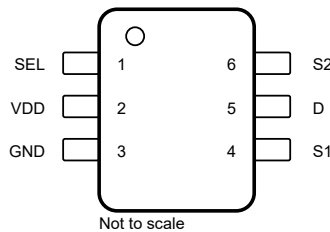
**Block Diagram**



## Table of Contents

<b>1 Features</b> .....	1	6.9 Bandwidth.....	13
<b>2 Applications</b> .....	1	<b>7 Detailed Description</b> .....	15
<b>3 Description</b> .....	1	7.1 Functional Block Diagram.....	15
<b>4 Pin Configuration and Functions</b> .....	2	7.2 Feature Description.....	15
<b>5 Specifications</b> .....	3	7.3 Device Functional Modes.....	15
5.1 Absolute Maximum Ratings.....	3	7.4 Truth Tables.....	15
5.2 ESD Ratings.....	3	<b>8 Application and Implementation</b> .....	16
5.3 Recommended Operating Conditions.....	3	8.1 Application Information.....	16
5.4 Thermal Information.....	4	8.2 Typical Application.....	16
5.5 Source or Drain Current through Switch.....	4	8.3 Power Supply Recommendations.....	18
5.6 Electrical Characteristics.....	5	8.4 Layout.....	18
5.7 Analog Channel Specifications.....	7	<b>9 Device and Documentation Support</b> .....	20
5.8 Switching Characteristics.....	8	9.1 Documentation Support.....	20
5.9 Typical Characteristics.....	9	9.2 Receiving Notification of Documentation Updates....	20
<b>6 Parameter Measurement Information</b> .....	10	9.3 Support Resources.....	20
6.1 On-Resistance.....	10	9.4 Trademarks.....	20
6.2 Off-Leakage Current.....	10	9.5 Electrostatic Discharge Caution.....	20
6.3 On-Leakage Current.....	10	9.6 Glossary.....	20
6.4 Transition Time.....	11	<b>10 Revision History</b> .....	20
6.5 Break-Before-Make.....	11	<b>11 Mechanical, Packaging, and Orderable Information</b> .....	20
6.6 Charge Injection.....	12	11.1 Tape and Reel Information.....	21
6.7 Off Isolation.....	12	11.2 Mechanical Data.....	23
6.8 Crosstalk.....	13		

## 4 Pin Configuration and Functions



Product Preview

**Figure 4-1. DBV Package 6-Pin SOT-23 (Top View)**

**Table 4-1. Pin Functions**

PIN		TYPE <sup>(1)</sup>	DESCRIPTION
NAME	NO.		
SEL	1	I	Select pin: controls state of the switch according to <a href="#">Table 7-1</a> . (Logic Low = S1 to D, Logic High = S2 to D)
VDD	2	P	Positive power supply. This pin is the most positive power-supply potential. For reliable operation, connect a decoupling capacitor ranging from 0.1µF to 10µF between V <sub>DD</sub> and GND.
GND	3	P	Ground (0V) reference
S1	4	I/O	Source pin 1. Can be an input or output.
D	5	I/O	Drain pin. Can be an input or output.
S2	6	I/O	Source pin 2. Can be an input or output.

(1) I = input, O = output, I/O = input and output, P = power

## 5 Specifications

### 5.1 Absolute Maximum Ratings

over operating free-air temperature range (unless otherwise noted)<sup>(1)</sup>

		MIN	MAX	UNIT
V <sub>DD</sub>	Supply voltage	-0.5	6	V
V <sub>IN</sub>	Control input voltage <sup>(2)</sup>	-0.5	6	V
V <sub>I/O</sub>	Voltage range applied to any output in the high-impedance or power-off state <sup>(2) (3)</sup>	-0.5	V <sub>DD</sub> + 0.5	V
I <sub>IK</sub>	Control input clamp current V <sub>IN</sub> < 0		-50	mA
I <sub>I/O</sub>	I/O port diode current V <sub>I/O</sub> < 0 or V <sub>I/O</sub> > V <sub>DD</sub>	-50	50	mA
I <sub>I/O</sub>	On-state switch current <sup>(4)</sup> V <sub>I/O</sub> = 0 to V <sub>DD</sub>	I <sub>DC</sub> ± 10 % <sup>(7)</sup>	I <sub>DC</sub> ± 10 % <sup>(7)</sup>	mA
P <sub>tot</sub>	Total power dissipation		300	mW
T <sub>j</sub>	Junction temperature		150	C
Storage temperature, T <sub>stg</sub>		-65	150	C

- (1) Operation outside the Absolute Maximum Rating may cause permanent device damage. Absolute Maximum Rating do not imply functional operation of the device at these or any other conditions beyond those listed under Recommended Operating Condition. If used outside the Recommended Operating Condition but within the Absolute Maximum Rating, the device may not be fully functional, and this may affect device reliability, functionality, performance, and shorten the device lifetime.
- (2) All voltages are with respect to ground unless otherwise specified.
- (3) V<sub>I</sub>, V<sub>O</sub>, V<sub>A</sub>, and V<sub>Bn</sub> are used to denote specific conditions for V<sub>I/O</sub>.
- (4) I<sub>I</sub>, I<sub>O</sub>, I<sub>A</sub>, and I<sub>Bn</sub> are used to denote specific conditions for I<sub>I/O</sub>.
- (5) Refer to *Source or Drain Current* table for I<sub>DC</sub> specifications.

### 5.2 ESD Ratings

		VALUE	UNIT
V <sub>(ESD)</sub>	Electrostatic discharge	Human body model (HBM), per AEC Q100-002 <sup>(1)</sup>	±2000
		Charged device model (CDM), per AEC Q100-011	±750

- (1) AEC Q100-002 indicates that HBM stressing must be in accordance with the ANSI/ESDA/JEDEC JS-002 specification.

### 5.3 Recommended Operating Conditions

over operating free-air temperature range (unless otherwise noted)

		MIN	NOM	MAX	UNIT
V <sub>DD</sub>	Supply voltage	2		5.5	V
V <sub>I/O</sub>	Switch input or output voltage (Max of V <sub>DD</sub> )	0		V <sub>DD</sub>	V
V <sub>IN</sub>	Control input voltage	0		5.5	V
V <sub>IH</sub>	High-level input voltage	V <sub>DD</sub> = 2V to 2.29V		V <sub>DD</sub> × 0.75	V
		V <sub>DD</sub> = 2.3V to 5.5V		V <sub>DD</sub> × 0.7	
V <sub>IL</sub>	Low-level input voltage	V <sub>DD</sub> = 2V to 2.29V		V <sub>DD</sub> × 0.25	V
		V <sub>DD</sub> = 2.3V to 2.9V		V <sub>DD</sub> × 0.3	
		V <sub>DD</sub> = 3V to 5V		0.85	

## 5.4 Thermal Information

THERMAL METRIC <sup>(1)</sup>		SN4599-Q1	UNIT
		DBV (SOT-23)	
		6 PINS	
$R_{\theta JA}$	Junction-to-ambient thermal resistance	212.3	°C/W
$R_{\theta JC(top)}$	Junction-to-case (top) thermal resistance	156.7	°C/W
$R_{\theta JB}$	Junction-to-board thermal resistance	96.5	°C/W
$\Psi_{JT}$	Junction-to-top characterization parameter	80.7	°C/W
$\Psi_{JB}$	Junction-to-board characterization parameter	96.	°C/W
$R_{\theta JC(bot)}$	Junction-to-case (bottom) thermal resistance	N/A	°C/W

(1) For more information about traditional and new thermal metrics, see the [Semiconductor and IC Package Thermal Metrics](#) application report.

## 5.5 Source or Drain Current through Switch

Current through the Switch	$T_J = 25^\circ\text{C}$	$T_J = 85^\circ\text{C}$	$T_J = 125^\circ\text{C}$	$T_J = 130^\circ\text{C}$	UNIT
$I_{DC}$ <sup>(1)</sup>	150	120	60	50	mA
$I_{peak}$ <sup>(2)</sup>	300	300	180	160	mA

(1) See *Thermal Information* section for more details

(2) Pulse current of 1ms with 10% Duty Cycle

### 5.6 Electrical Characteristics

Over operating free-air temperature range,  $V_{SUPPLY} = \pm 5V$ , and  $R_L = 100\Omega$ , (unless otherwise noted)<sup>(1)</sup>

PARAMETER		TEST CONDITIONS			MIN	TYP	MAX	UNIT		
SN4599-Q1										
		$V_{DD}$ V	$V_{I/O}$ V	$I_O$ mA	$T_A$					
$r_{ON}$	ON-state switch resistance	2V	$V_I = 0V$	$I_O = 4mA$	25°C		11	$\Omega$		
					-40°C to +85°C		20			
					-40°C to +125°C		20			
			$V_I = 1.65$	$I_O = -4mA$	25°C		15			
					-40°C to +85°C		50			
					-40°C to +125°C		50			
		2.3V	$V_I = 0V$	$I_O = 8mA$	25°C		8			
					-40°C to +85°C		12			
					-40°C to +125°C		12			
			$V_I = 2.3V$	$I_O = -8mA$	25°C		11			
					-40°C to +85°C		30			
					-40°C to +125°C		30			
		3V	$V_I = 0V$	$I_O = 24mA$	25°C		7			
					-40°C to +85°C		9			
					-40°C to +125°C		9			
			$V_I = 3V$	$I_O = -24mA$	25°C		9			
					-40°C to +85°C		20			
					-40°C to +125°C		20			
		4.5V	$V_I = 0V$	$I_O = 30mA$	25°C		6			
					-40°C to +85°C		7			
					-40°C to +125°C		7			
			$V_I = 2.4V$	$I_O = 30mA$	25°C		7			
					-40°C to +85°C		12			
					-40°C to +125°C		12			
$V_I = 4.5V$	$I_O = -30mA$	25°C		7						
		-40°C to +85°C		15						
		-40°C to +125°C		15						
$r_{range}$	ON-state switch resistance over signal range	$0 \leq V_{Sn} \leq V_{DD}$		$I_D = -4mA$	25°C		210	$\Omega$		
					-40°C to +85°C		210			
					-40°C to +125°C		210			
					2.3V	$I_D = -8mA$	25°C			85
							-40°C to +85°C			85
							-40°C to +125°C			85
					3V	$I_D = -24mA$	25°C			30
							-40°C to +85°C			30
							-40°C to +125°C			30
					4.5V	$I_D = -30mA$	25°C			18
							-40°C to +85°C			18
							-40°C to +125°C			18

ADVANCE INFORMATION

## 5.6 Electrical Characteristics (continued)

Over operating free-air temperature range,  $V_{SUPPLY} = \pm 5V$ , and  $R_L = 100\Omega$ , (unless otherwise noted)<sup>(1)</sup>

PARAMETER		TEST CONDITIONS			MIN	TYP	MAX	UNIT		
$\Delta r_{ON}$	Maximum ON resistance between any two channels	2V	$V_{Sn} = 1.15V$	$I_D = -4mA$	25°C	0.5		$\Omega$		
					-40°C to +85°C	0.5				
					-40°C to +125°C	0.5				
		2.3V	$V_{Sn} = 1.6V$	$I_D = -8mA$	25°C	0.1				
					-40°C to +85°C	0.1				
					-40°C to +125°C	0.3				
		3V	$V_{Sn} = 2.1V$	$I_D = -24mA$	25°C	0.1				
					-40°C to +85°C	0.1				
					-40°C to +125°C	0.3				
		4.5V	$V_{Sn} = 3.15V$	$I_D = -30mA$	25°C	0.1				
					-40°C to +85°C	0.1				
					-40°C to +125°C	0.2				
$r_{on(Flat)}$	ON resistance flatness	$0 \leq V_{Sn} \leq V_{DD}$			25°C	110		$\Omega$		
					2V	$I_D = -4mA$	-40°C to +85°C		110	
							-40°C to +125°C		110	
							25°C		26	
					2.3V	$I_D = -8mA$	-40°C to +85°C		26	
							-40°C to +125°C		40	
							25°C		9	
					3V	$I_D = -24mA$	-40°C to +85°C		9	
							-40°C to +125°C		10	
							25°C		4	
					4.5V	$I_D = -30mA$	-40°C to +85°C		4	
							-40°C to +125°C		5	
25°C	5									
$I_{off}$	Switch OFF leakage current				25°C	$\pm 5$		nA		
					2V	$V_S = 1V / 1.62V$ $V_D = 1.62V / 1V$	-40°C to +85°C		$\pm 25$	
							-40°C to +125°C		$\pm 100$	
							25°C		$\pm 5$	
					5.5V	$V_S = 4.5V / 1.5V$ $V_D = 1.5V / 4.5V$	-40°C to +85°C		$\pm 25$	
							-40°C to +125°C		$\pm 100$	
25°C	$\pm 15$									
$I_{S(on)}$	ON-state switch leakage current	5.5	$V_I = V_{DD}$ or GND, $V_O = \text{Open}$	-40°C to +85°C	$\pm 50$		nA			
				-40°C to +125°C	$\pm 100$					
				25°C	$\pm 0.05$ $\pm 0.1$					
$I_{IN}$	Control input current	0V to 5.5V	$0 \leq V_{IN} \leq V_{DD}$	-40°C to +85°C	$\pm 1$		$\mu A$			
				-40°C to +125°C	$\pm 1$					
				25°C	1					
$I_{DD}$	Supply current	5.5V	SEL = $V_{DD}$ or GND	-40°C to +85°C	10		$\mu A$			
				-40°C to +125°C	35					
				25°C	2.7					
$C_i$	Control input capacitance	5V	SEL ( $V_{DD}/2$ )	-40°C to +85°C	2.7		pF			
				-40°C to +125°C	2.7					
				25°C	2.7					

## 5.6 Electrical Characteristics (continued)

Over operating free-air temperature range,  $V_{SUPPLY} = \pm 5V$ , and  $R_L = 100\Omega$ , (unless otherwise noted)<sup>(1)</sup>

PARAMETER		TEST CONDITIONS			MIN	TYP	MAX	UNIT
$C_{io(off)}$	Switch input/output capacitance	5V	Sn ( $V_{DD}/2$ )	25°C	5.2		pF	
				-40°C to +85°C	5.2			
				-40°C to +125°C	5.2			
$C_{io(on)}$	Switch input/output capacitance	5V	Sn ( $V_{DD}/2$ )	25°C	21		pF	
				-40°C to +85°C	21			
				-40°C to +125°C	21			
			D ( $V_{DD}/2$ )	25°C	21			
				-40°C to +85°C	21			
				-40°C to +125°C	21			

(1)  $T_A = 25C$

## 5.7 Analog Channel Specifications

over operating free-air temperature range (unless otherwise noted)

Parameter	FROM (INPUT)	TO (OUTPUT)	TEST CONDITIONS	$V_{DD}$	MIN	NOM	MAX	UNIT
Frequency response (switch on)	D or Sn	Sn or D	$R_L = 50\Omega$ , $f_{in} =$ sine wave	2V	250		MHz	
				2.3V	250			
				3V	250			
				4.5V	250			
Crosstalk (between switches)	S1 or S2	S2 or S1	$R_L = 50\Omega$ , $f_{in} =$ 1MHz sine wave	2V	-54		dB	
				2.3V	-54			
				3V	-54			
				4.5V	-54			
Feed through attenuation (switch off)	D or Sn	Sn or D	$C_L = 5pF$ , $R_L = 50\Omega$ , $f_{in} =$ 1MHz (sine wave)	2V	-57		dB	
				2.3V	-57			
				3V	-57			
				4.5V	-57			
Charge injection	SEL ( $V_s = V_{DD}/2$ )	D	$C_L = 0.1nF$ , $R_L = 1M\Omega$	3.3V	3		pC	
				5V	7			
Total harmonic distortion	D or Sn	Sn or D	$V_I = 4.0V_{p-p}$ , $V_{bias} = V_{DD}/2$ , $R_L = 10k\Omega$ , $f_{in} = 600Hz$ to 20kHz (sine wave)	4.5V	0.01		%	

### 5.8 Switching Characteristics

over operating free-air temperature range (unless otherwise noted)

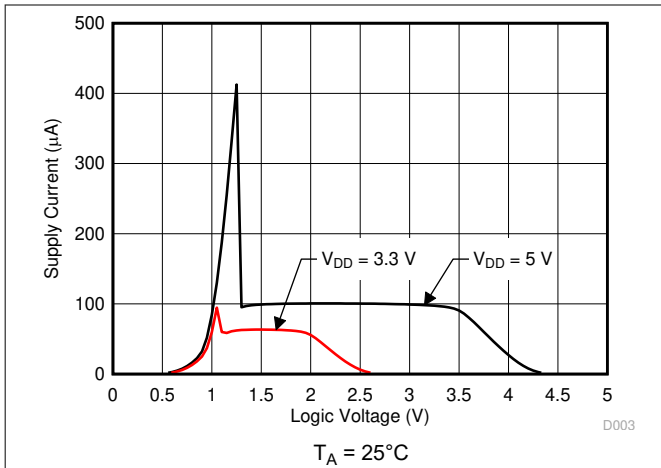
Parameter		FROM (INPUT)	TO (OUTPUT)	V <sub>DD</sub>	MIN	NOM	MAX	UNIT
t <sub>tran</sub>	R <sub>L</sub> = 200Ω, C <sub>L</sub> = 15pF, V <sub>S</sub> = 1V	D or Sn	Sn or D	2V ± 0.15V	28			ns
					44			
					44			
	R <sub>L</sub> = 200Ω, C <sub>L</sub> = 15pF, V <sub>S</sub> = 2V	D or Sn	Sn or D	3.3V ± 0.3V	14			ns
					20			
					21			
	R <sub>L</sub> = 200Ω, C <sub>L</sub> = 15pF, V <sub>S</sub> = 3V	D or Sn	Sn or D	5V ± 0.5V	12			ns
					18			
					19			
T <sub>B-M</sub>	Break before make time			2V ± 0.15V	0.5		ns	
				2.5V ± 0.2V	0.5			
				3.3V ± 0.3V	0.5			
				5V ± 0.5V	0.5			

ADVANCE INFORMATION

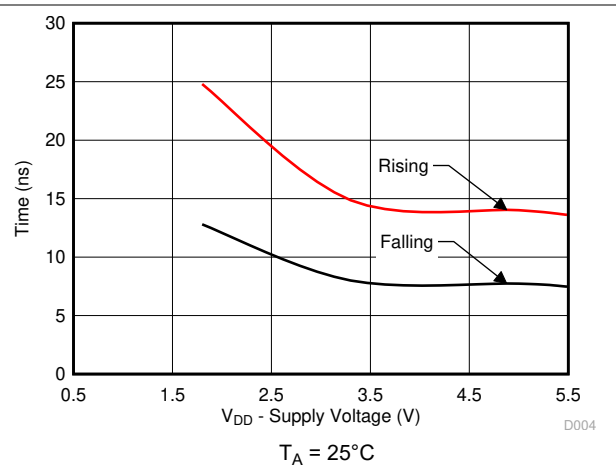


## 5.9 Typical Characteristics

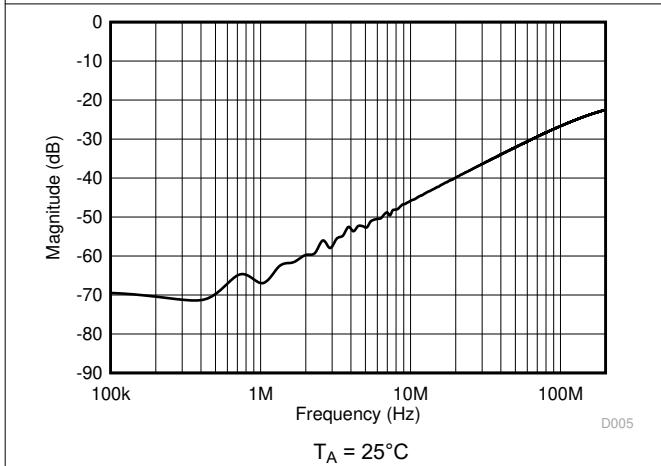
at  $T_A = 25^\circ\text{C}$ ,  $V_{DD} = 5\text{V}$  (unless otherwise noted)



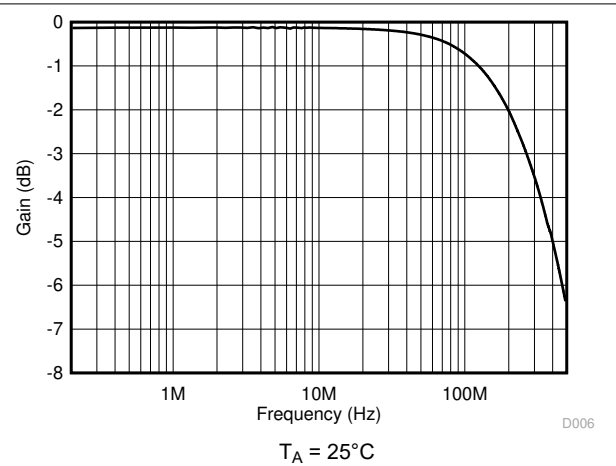
**Figure 5-1. Supply Current vs Logic Voltage**



**Figure 5-2.  $T_{\text{transition}}$  vs Supply Voltage**



**Figure 5-3. Crosstalk and Off-Isolation vs Frequency**



**Figure 5-4. Frequency Response**

## 6 Parameter Measurement Information

### 6.1 On-Resistance

The on-resistance of a device is the ohmic resistance between the source (Sx) and drain (D) pins of the device. The on-resistance varies with input voltage and supply voltage. The symbol  $R_{ON}$  is used to denote on-resistance. The measurement setup used to measure  $R_{ON}$  is shown in Figure 6-1. Voltage (V) and current ( $I_{SD}$ ) are measured using this setup, and  $R_{ON}$  is computed with  $R_{ON} = V / I_{SD}$ :

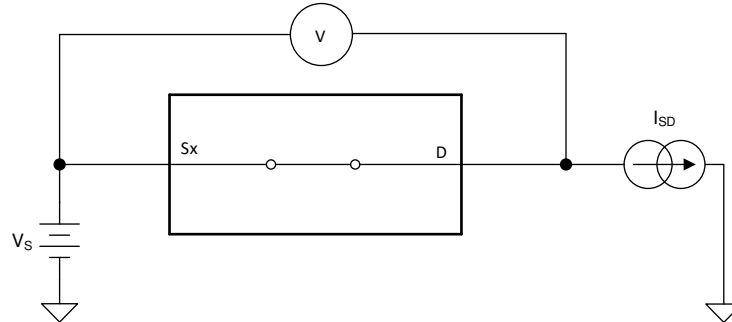


Figure 6-1. On-Resistance Measurement Setup

### 6.2 Off-Leakage Current

Source leakage current is defined as the leakage current flowing into or out of the source pin when the switch is off. This current is denoted by the symbol  $I_{S(OFF)}$ .

The setup used to measure off-leakage current is shown in Figure 6-2.

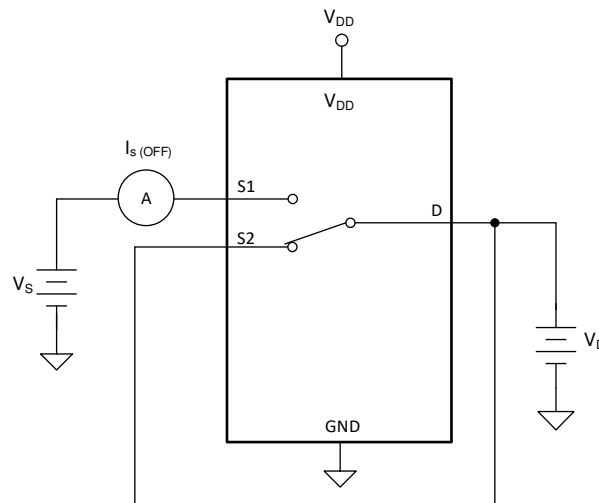


Figure 6-2. Off-Leakage Measurement Setup

### 6.3 On-Leakage Current

Source on-leakage current is defined as the leakage current flowing into or out of the source pin when the switch is on. This current is denoted by the symbol  $I_{S(ON)}$ .

Drain on-leakage current is defined as the leakage current flowing into or out of the drain pin when the switch is on. This current is denoted by the symbol  $I_{D(ON)}$ .

Either the source pin or drain pin is left floating during the measurement. Figure 6-3 shows the circuit used for measuring the on-leakage current, denoted by  $I_{S(ON)}$  or  $I_{D(ON)}$ .

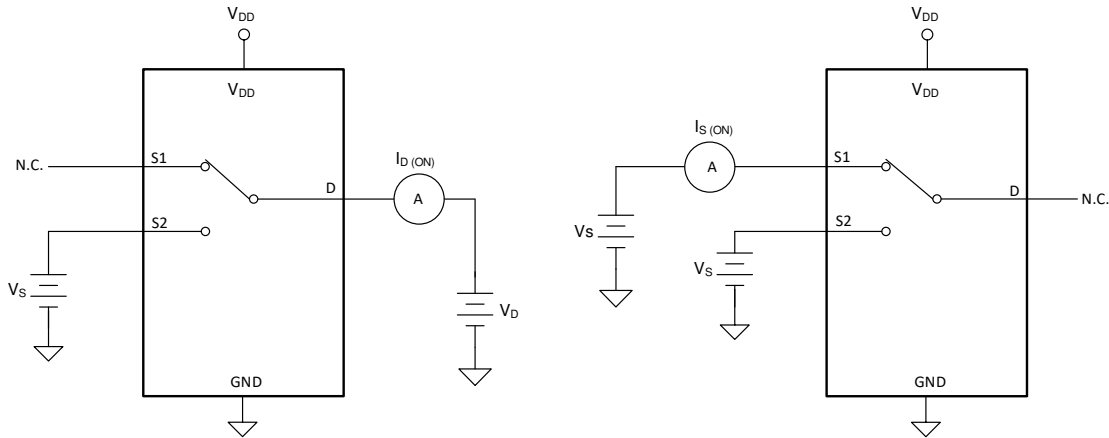


Figure 6-3. On-Leakage Measurement Setup

### 6.4 Transition Time

Transition time is defined as the time taken by the output of the device to rise or fall 10% after the logic control signal has risen or fallen past the logic threshold. The 10% transition measurement is utilized to provide the timing of the device. System level timing can then account for the time constant added from the load resistance and load capacitance. Figure 6-4 shows the setup used to measure transition time, denoted by the symbol  $t_{\text{TRANSITION}}$ .

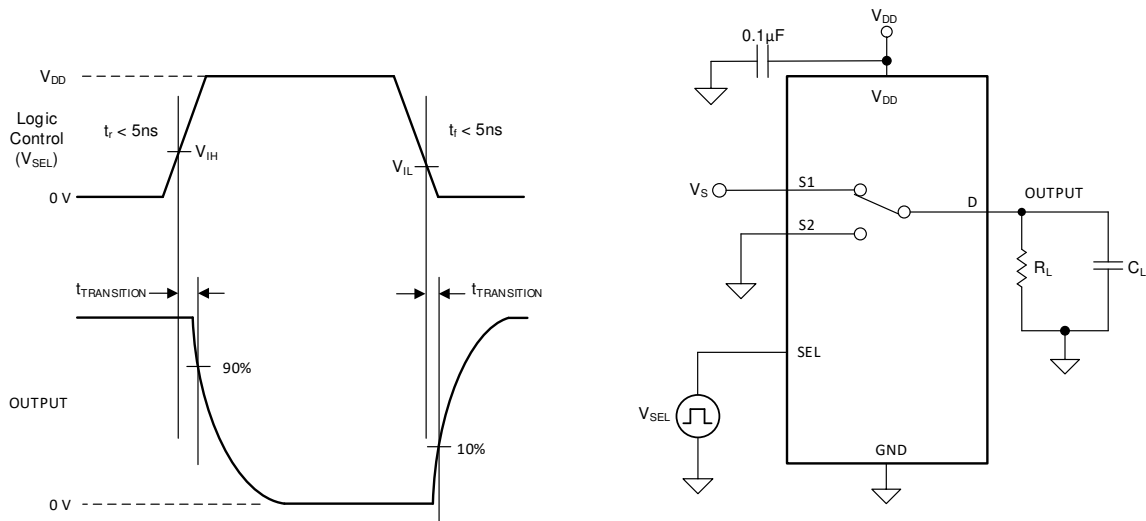
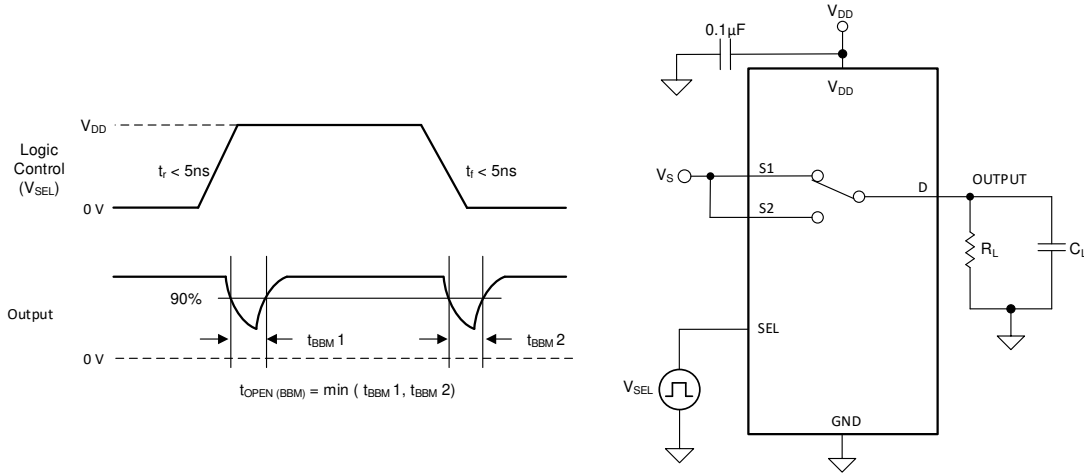


Figure 6-4. Transition-Time Measurement Setup

### 6.5 Break-Before-Make

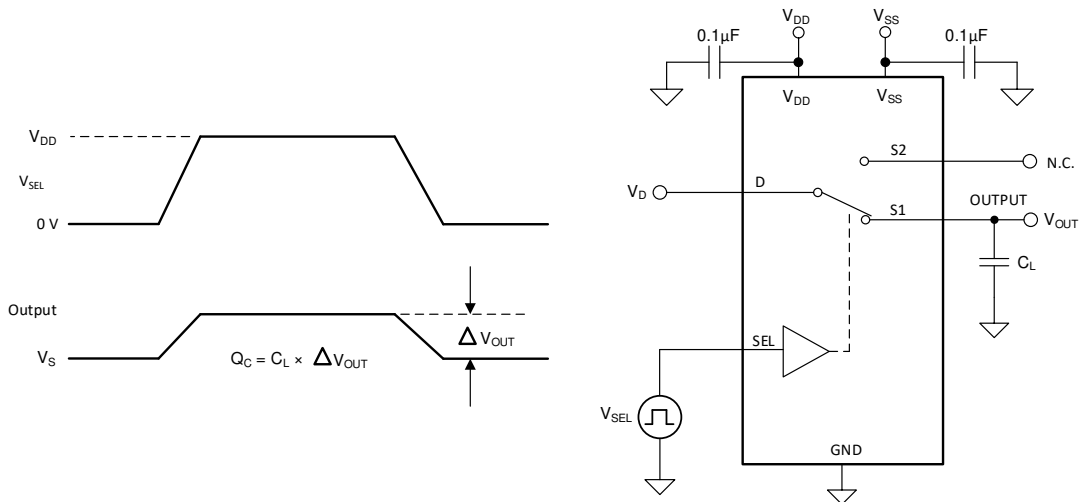
Break-before-make delay is a safety feature that prevents two inputs from connecting when the device is switching. The output first breaks from the on-state switch before making the connection with the next on-state switch. The time delay between the *break* and the *make* is known as break-before-make delay. Figure 6-5 shows the setup used to measure break-before-make delay, denoted by the symbol  $t_{\text{OPEN(BBM)}}$ .



**Figure 6-5. Break-Before-Make Delay Measurement Setup**

### 6.6 Charge Injection

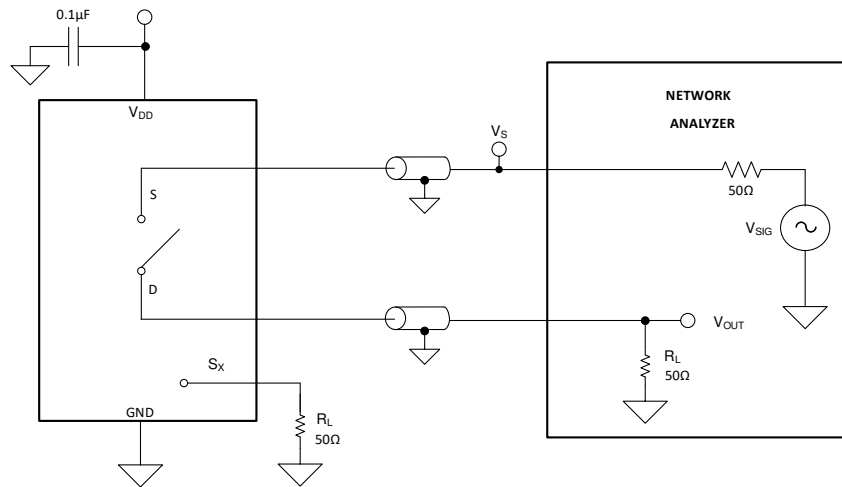
The SN4599-Q1 has a transmission-gate topology. Any mismatch in capacitance between the NMOS and PMOS transistors results in a charge injected into the drain or source during the falling or rising edge of the gate signal. The amount of charge injected into the source or drain of the device is known as charge injection, and is denoted by the symbol  $Q_C$ . Figure 6-6 shows the setup used to measure charge injection from Drain (D) to Source ( $S_x$ ).



**Figure 6-6. Charge-Injection Measurement Setup**

### 6.7 Off Isolation

Off isolation is defined as the ratio of the signal at the drain pin (D) of the device when a signal is applied to the source pin ( $S_x$ ) of an off-channel. Figure 6-7 shows the setup used to measure, and the equation used to calculate off isolation.

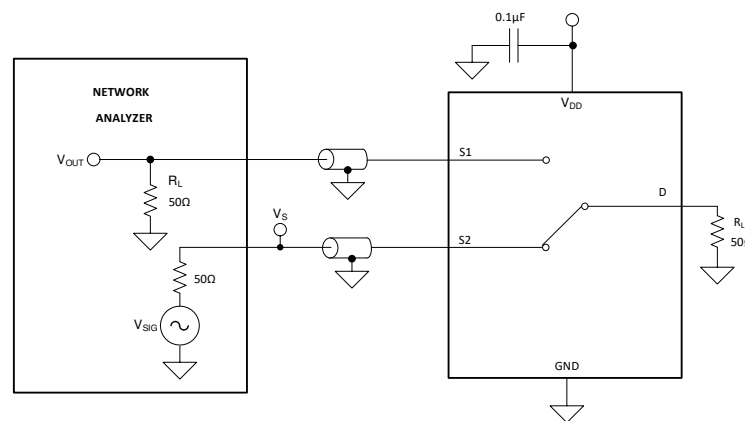


**Figure 6-7. Off Isolation Measurement Setup**

$$\text{Off Isolation} = 20 \times \text{Log} \left( \frac{V_{OUT}}{V_S} \right) \quad (1)$$

## 6.8 Crosstalk

Crosstalk is defined as the ratio of the signal at the drain pin (D) of a different channel, when a signal is applied at the source pin (Sx) of an on-channel. Figure 6-8 shows the setup used to measure, and the equation used to calculate crosstalk.

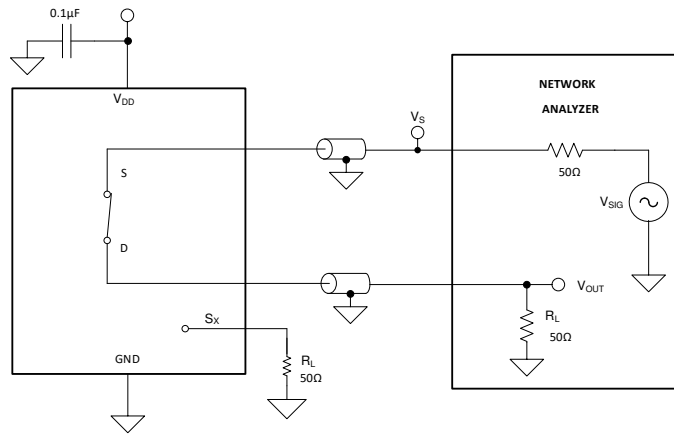


**Figure 6-8. Crosstalk Measurement Setup**

$$\text{Channel - to - Channel Crosstalk} = 20 \times \text{Log} \left( \frac{V_{OUT}}{V_S} \right) \quad (2)$$

## 6.9 Bandwidth

Bandwidth is defined as the range of frequencies that are attenuated by less than 3 dB when the input is applied to the source pin (Sx) of an on-channel, and the output is measured at the drain pin (D) of the device. Figure 6-9 shows the setup used to measure bandwidth.



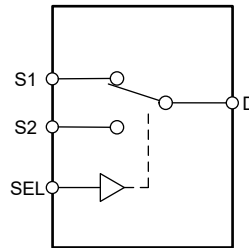
**Figure 6-9. Bandwidth Measurement Setup**

ADVANCE INFORMATION

## 7 Detailed Description

### 7.1 Functional Block Diagram

The SN4599-Q1 is an 2:1 (SPDT), 1-channel switch where the input is controlled with a single select (SEL) control pin.



**Figure 7-1. SN4599-Q1 Functional Block Diagram**

### 7.2 Feature Description

#### 7.2.1 Bidirectional Operation

The SN4599-Q1 conducts equally well from source (Sx) to drain (D) or from drain (D) to source (Sx). The device has very similar characteristics in both directions and supports both analog and digital signals.

#### 7.2.2 Rail to Rail Operation

The valid signal path input/output voltage for SN4599-Q1 ranges from GND to  $V_{DD}$ .

#### 7.2.3 Fail-Safe Logic

The SN4599-Q1 supports Fail-Safe Logic on the control input pin (SEL) allowing for operation up to 5.5V, regardless of the state of the supply pin. This feature allows voltages on the control pin to be applied before the supply pin, protecting the device from potential damage. Fail-Safe Logic minimizes system complexity by removing the need for power supply sequencing on the logic control pins. For example, the Fail-Safe Logic feature allows the select pin of the SN4599-Q1 to be ramped to 5.5V while  $V_{DD} = 0V$ . Additionally, the feature enables operation of the SN4599-Q1 with  $V_{DD} = 2V$  while allowing the select pin to interface with a logic level of another device up to 5.5V.

### 7.3 Device Functional Modes

The select (SEL) pin of the SN4599-Q1 controls which source channel is connected to the drain of the device. When a signal path is not selected, that source pin is in high impedance mode (HI-Z). The control pin can be as high as 5.5V.

### 7.4 Truth Tables

**Table 7-1. SN4599-Q1 Truth Table**

CONTROL LOGIC (SEL)	Selected Source (Sx) Connected To Drain (D) Pin
0	S1
1	S2

## 8 Application and Implementation

### Note

Information in the following applications sections is not part of the TI component specification, and TI does not warrant its accuracy or completeness. TI's customers are responsible for determining suitability of components for their purposes, as well as validating and testing their design implementation to confirm system functionality.

### 8.1 Application Information

SN4599-Q1 offers good system performance across a wide operating supply (2V to 5.5V). Additionally, the control input pin supports Fail-Safe Logic which allows for operation up to 5.5V, regardless of the state of the supply pin. This protection stops the logic pins from back-powering the supply rail. These features of the SN4599-Q1 general purpose multiplexer, reduce system complexity, board size, and overall system cost.

### 8.2 Typical Application

#### 8.2.1 Switchable Operational Amplifier Gain Setting

One example application of the SN4599-Q1 is to change an Op Amp from unity gain setting to an inverting amplifier configuration. Utilizing a switch allows a system to have a configurable gain and allows the same architecture to be utilized across the board for various inputs to the system. Figure 8-1 shows the SN4599-Q1 configured for gain setting application.

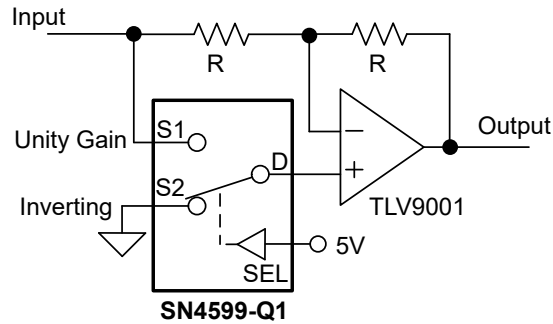


Figure 8-1. Switchable Op Amp Gain Setting

##### 8.2.1.1 Design Requirements

This design example uses the parameters listed in Table 8-1.

Table 8-1. Design Parameters

PARAMETERS	VALUES
Input Signal	0V to 3.3V
Mux Supply ( $V_{DD}$ )	3.3V
Op Amp Supply ( $V_+$ / $V_-$ )	$\pm 3.3V$
Mux I/O signal range	0V to $V_{DD}$ (Rail to Rail)
Control logic thresholds	2.31V up to 5.5V

##### 8.2.1.2 Detailed Design Procedure

The application shown in Figure 8-1 demonstrates how to use a single control input and toggle between gain settings of -1 and +1. If switching between inverting and unity gain is not required, then the SN4599-Q1 can be utilized in the feedback path to select different feedback resistors and provide scalable gain settings for configurable signal conditioning.



The SN4599-Q1 can operate without any external components except for the supply decoupling capacitors. It is recommended to have a weak pull-down or pull-up resistor so that the input of the select pin is in a known state. All inputs to the switch must fall within the recommend operating conditions of the SN4599-Q1 including signal range and continuous current. For this design with a supply of 3.3V, the signal range can be 0V to 3.3V and the maximum continuous current can be 30mA.

### 8.2.1.3 Application Curve

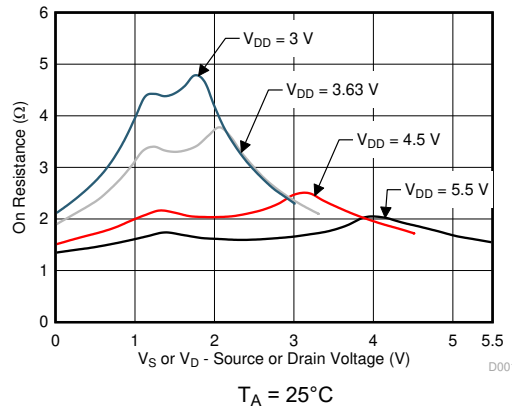


Figure 8-2. On-Resistance vs Source or Drain Voltage

### 8.2.2 Input Control for Power Amplifier

Another application of the SN4599-Q1 is for input control of a power amplifier. Utilizing a switch allows a system to control when the DAC is connected to the power amplifier, and can stop biasing the power amplifier by switching the gate to GND. Figure 8-3 shows the SN4599-Q1 configured for control of the power amplifier.

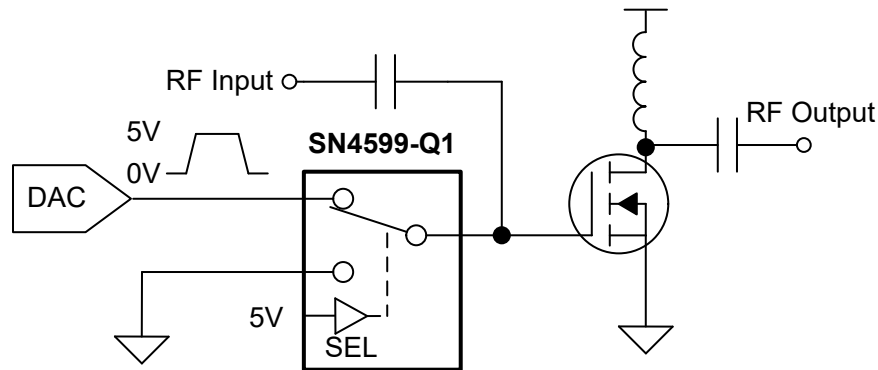


Figure 8-3. Input Control of Power Amplifier

#### 8.2.2.1 Design Requirements

This design example uses the parameters listed in Table 8-1.

Table 8-2. Design Parameters

PARAMETERS	VALUES
Supply ( $V_{DD}$ )	5V
Mux I/O signal range	0V to $V_{DD}$ (Rail to Rail)
Control logic thresholds	Up to 5.5V

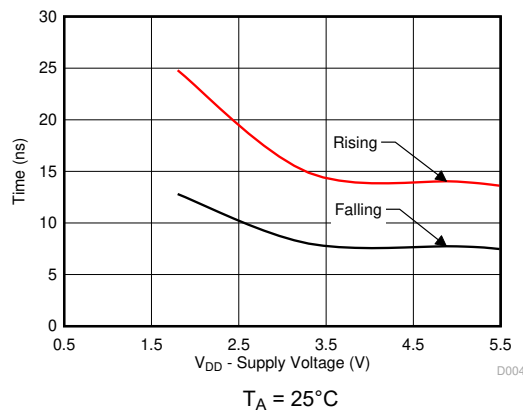
### 8.2.2.2 Detailed Design Procedure

The application shown in [Figure 8-3](#) demonstrates how to toggle between the DAC output and GND to control a power amplifier using a single control input. The DAC output is utilized to bias the gate of the power amplifier and can be disconnected from the circuit using the select pin of the switch.

The SN4599-Q1 can operate without any external components except for the supply decoupling capacitors. It is recommended to have a weak pull-down or pull-up resistor so that the input of the select pin is in a known state. All inputs to the switch must fall within the recommend operating conditions of the SN4599-Q1 including signal range and continuous current. For this design with a supply of 5V, the signal range can be 0V to 5V and the maximum continuous current can be 30mA.

### 8.2.2.3 Application Curve

A key parameter for this application is the transition time of the device. Faster transition time allows the system to toggle between input sources at a faster rate and allows the output to settle to the final value. The SN4599-Q1 has a transition time that varies with supply voltage and is shown in [Figure 8-4](#)



**Figure 8-4.  $T_{\text{transition}}$  vs Supply Voltage**

## 8.3 Power Supply Recommendations

The SN4599-Q1 operates across a wide supply range of 2V to 5.5V. Do not exceed the absolute maximum ratings because stresses beyond the listed ratings can cause permanent damage to the devices.

Power-supply bypassing improves noise margin and prevents switching noise propagation from the  $V_{DD}$  supply to other components. Good power-supply decoupling is important to achieve optimum performance. For improved supply noise immunity, use a supply decoupling capacitor ranging from 0.1 $\mu$ F to 10 $\mu$ F from  $V_{DD}$  to ground. Place the bypass capacitors as close to the power supply pins of the device as possible using low-impedance connections. TI recommends using multi-layer ceramic chip capacitors (MLCCs) that offer low equivalent series resistance (ESR) and inductance (ESL) characteristics for power-supply decoupling purposes. For very sensitive systems, or for systems in harsh noise environments, avoiding the use of vias for connecting the capacitors to the device pins may offer superior noise immunity. The use of multiple vias in parallel lowers the overall inductance and is beneficial for connections to ground planes.

## 8.4 Layout

### 8.4.1 Layout Guidelines

When a PCB trace turns a corner at a 90° angle, a reflection can occur. A reflection occurs primarily because of the change of width of the trace. At the apex of the turn, the trace width increases to 1.414 times the width. This increase upsets the transmission-line characteristics, especially the distributed capacitance and self-inductance of the trace which results in the reflection. Not all PCB traces can be straight and therefore some traces must turn corners. [Figure 8-5](#) shows progressively better techniques of rounding corners. Only the last example (BEST) maintains constant trace width and minimizes reflections.

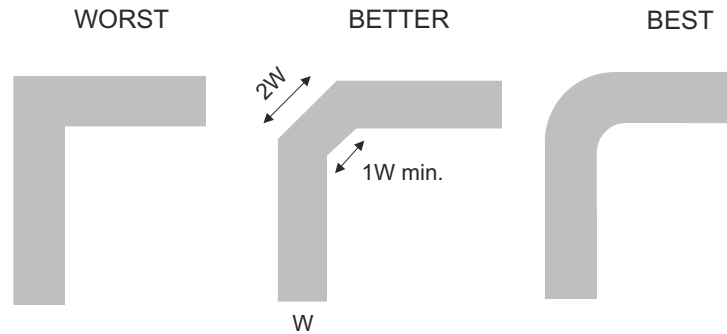


Figure 8-5. Trace Example

Route high-speed signals using a minimum of vias and corners which reduces signal reflections and impedance changes. When a via must be used, increase the clearance size around it to minimize its capacitance. Each via introduces discontinuities in the signal's transmission line and increases the chance of picking up interference from the other layers of the board. Be careful when designing test points, through-hole pins are not recommended at high frequencies.

Figure 8-6 shows an example of a PCB layout with the SN4599-Q1. Some key considerations are:

- Decouple the  $V_{DD}$  pin with a 0.1  $\mu\text{F}$  capacitor, placed as close to the pin as possible. Make sure that the capacitor voltage rating is sufficient for the  $V_{DD}$  supply.
- Keep the input lines as short as possible.
- Use a solid ground plane to help reduce electromagnetic interference (EMI) noise pickup.
- Do not run sensitive analog traces in parallel with digital traces. Avoid crossing digital and analog traces if possible, and only make perpendicular crossings when necessary.

#### 8.4.2 Layout Example

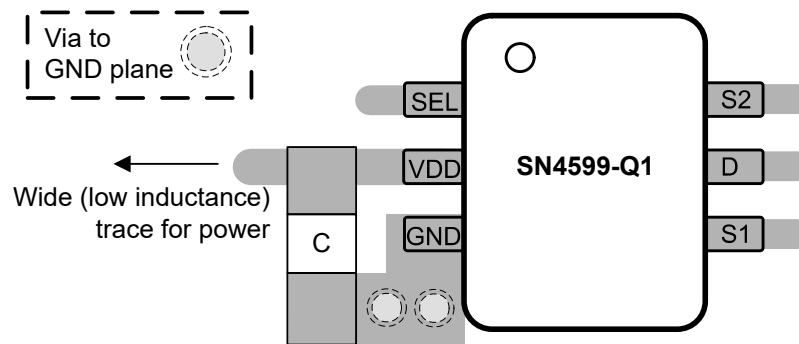


Figure 8-6. SN4599-Q1 Layout Example

## 9 Device and Documentation Support

### 9.1 Documentation Support

#### 9.1.1 Related Documentation

For related documentation, see the following:

- Texas Instruments, [Improve Stability Issues with Low CON Multiplexers](#).
- Texas Instruments, [Eliminate Power Sequencing with Powered-off Protection Signal Switches](#).
- Texas Instruments, [System-Level Protection for High-Voltage Analog Multiplexers](#).

### 9.2 Receiving Notification of Documentation Updates

To receive notification of documentation updates, navigate to the device product folder on [ti.com](http://ti.com). Click on *Notifications* to register and receive a weekly digest of any product information that has changed. For change details, review the revision history included in any revised document.

### 9.3 Support Resources

[TI E2E™ support forums](#) are an engineer's go-to source for fast, verified answers and design help — straight from the experts. Search existing answers or ask your own question to get the quick design help you need.

Linked content is provided "AS IS" by the respective contributors. They do not constitute TI specifications and do not necessarily reflect TI's views; see TI's [Terms of Use](#).

### 9.4 Trademarks

TI E2E™ is a trademark of Texas Instruments.  
All trademarks are the property of their respective owners.

### 9.5 Electrostatic Discharge Caution



This integrated circuit can be damaged by ESD. Texas Instruments recommends that all integrated circuits be handled with appropriate precautions. Failure to observe proper handling and installation procedures can cause damage.

ESD damage can range from subtle performance degradation to complete device failure. Precision integrated circuits may be more susceptible to damage because very small parametric changes could cause the device not to meet its published specifications.

### 9.6 Glossary

[TI Glossary](#) This glossary lists and explains terms, acronyms, and definitions.

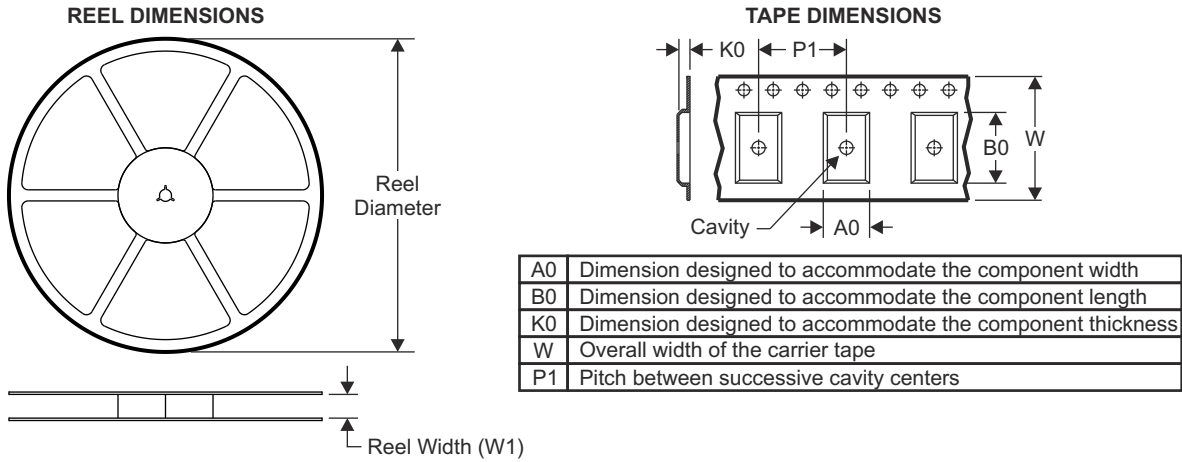
## 10 Revision History

DATE	REVISION	NOTES
April 2024	*	Initial Release

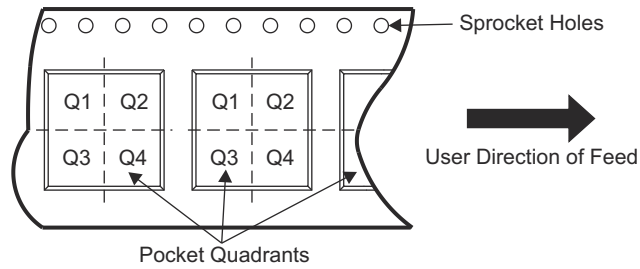
## 11 Mechanical, Packaging, and Orderable Information

The following pages include mechanical, packaging, and orderable information. This information is the most current data available for the designated devices. This data is subject to change without notice and revision of this document. For browser-based versions of this data sheet, refer to the left-hand navigation.

### 11.1 Tape and Reel Information



#### QUADRANT ASSIGNMENTS FOR PIN 1 ORIENTATION IN TAPE



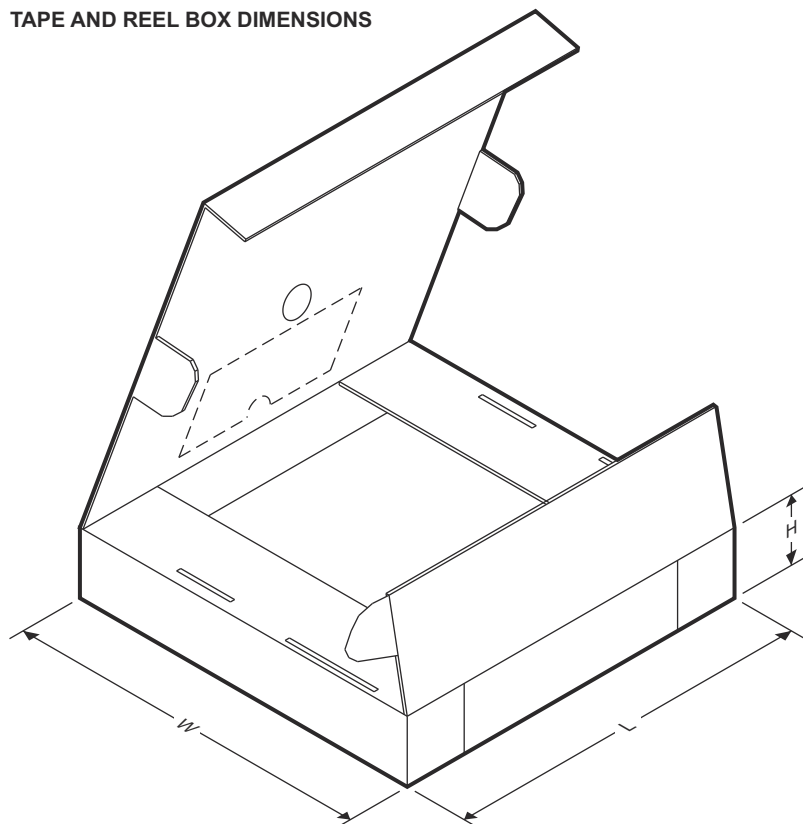
Device	Package Type	Package Drawing	Pins	SPQ	Reel Diameter (mm)	Reel Width W1 (mm)	A0 (mm)	B0 (mm)	K0 (mm)	P1 (mm)	W (mm)	Pin1 Quadrant
SN4599DBVRQ1	SOT-23	DBV	6	3000	178	9	2.4	2.5	1.2	4	8	Q3

ADVANCE INFORMATION

**SN4599-Q1**

SCDS475 – APRIL 2024

**TAPE AND REEL BOX DIMENSIONS**



**ADVANCE INFORMATION**

Device	Package Type	Package Drawing	Pins	SPQ	Length (mm)	Width (mm)	Height (mm)
SN4599DBVRQ1	SOT-23	DBV	6	3000	180	180	18

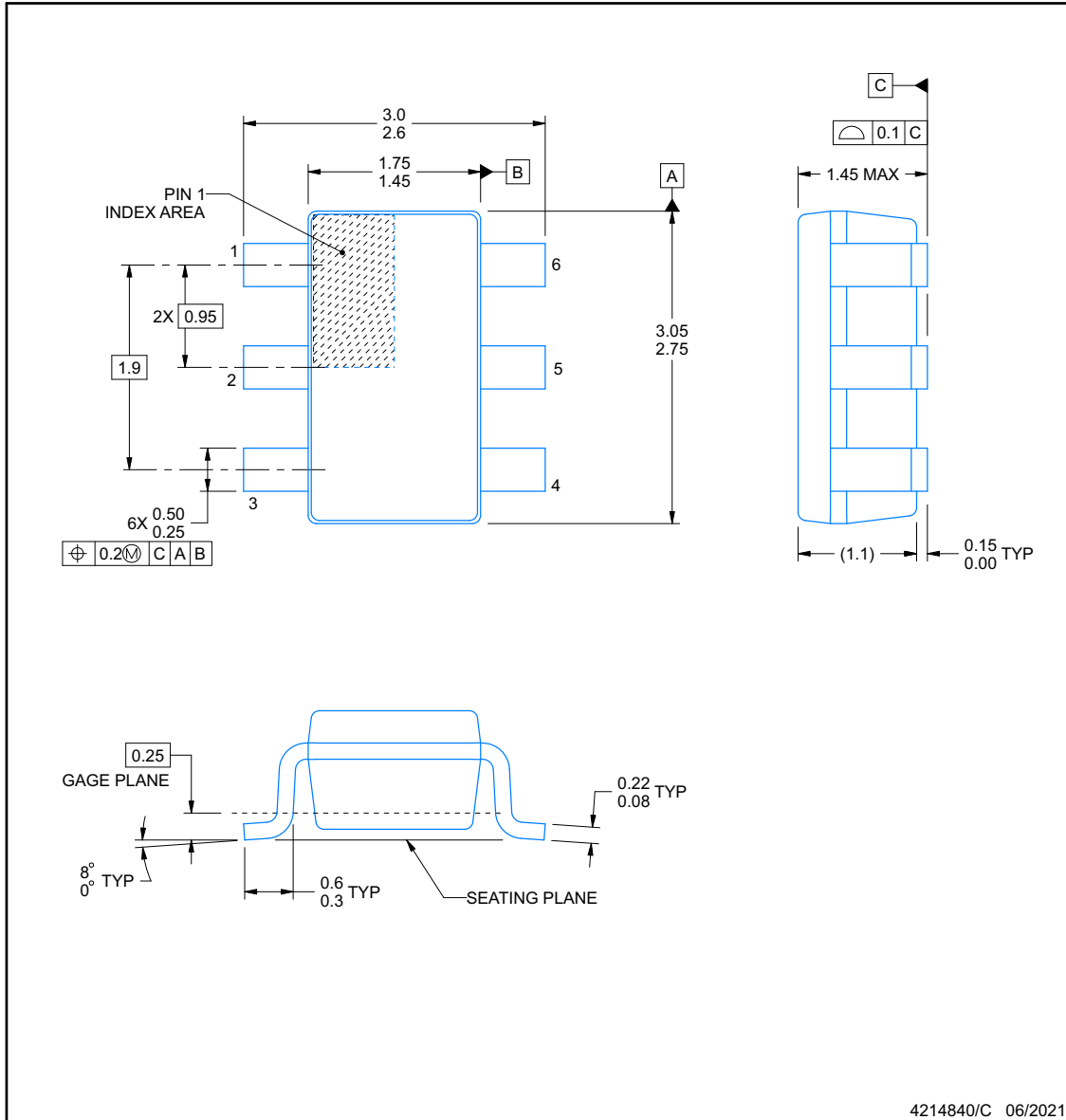
**11.2 Mechanical Data**



**DBV0006A**

**PACKAGE OUTLINE**  
**SOT-23 - 1.45 mm max height**

SMALL OUTLINE TRANSISTOR



**NOTES:**

1. All linear dimensions are in millimeters. Any dimensions in parenthesis are for reference only. Dimensioning and tolerancing per ASME Y14.5M.
2. This drawing is subject to change without notice.
3. Body dimensions do not include mold flash or protrusion. Mold flash and protrusion shall not exceed 0.25 per side.
4. Leads 1,2,3 may be wider than leads 4,5,6 for package orientation.
5. Reference JEDEC MO-178.

**ADVANCE INFORMATION**

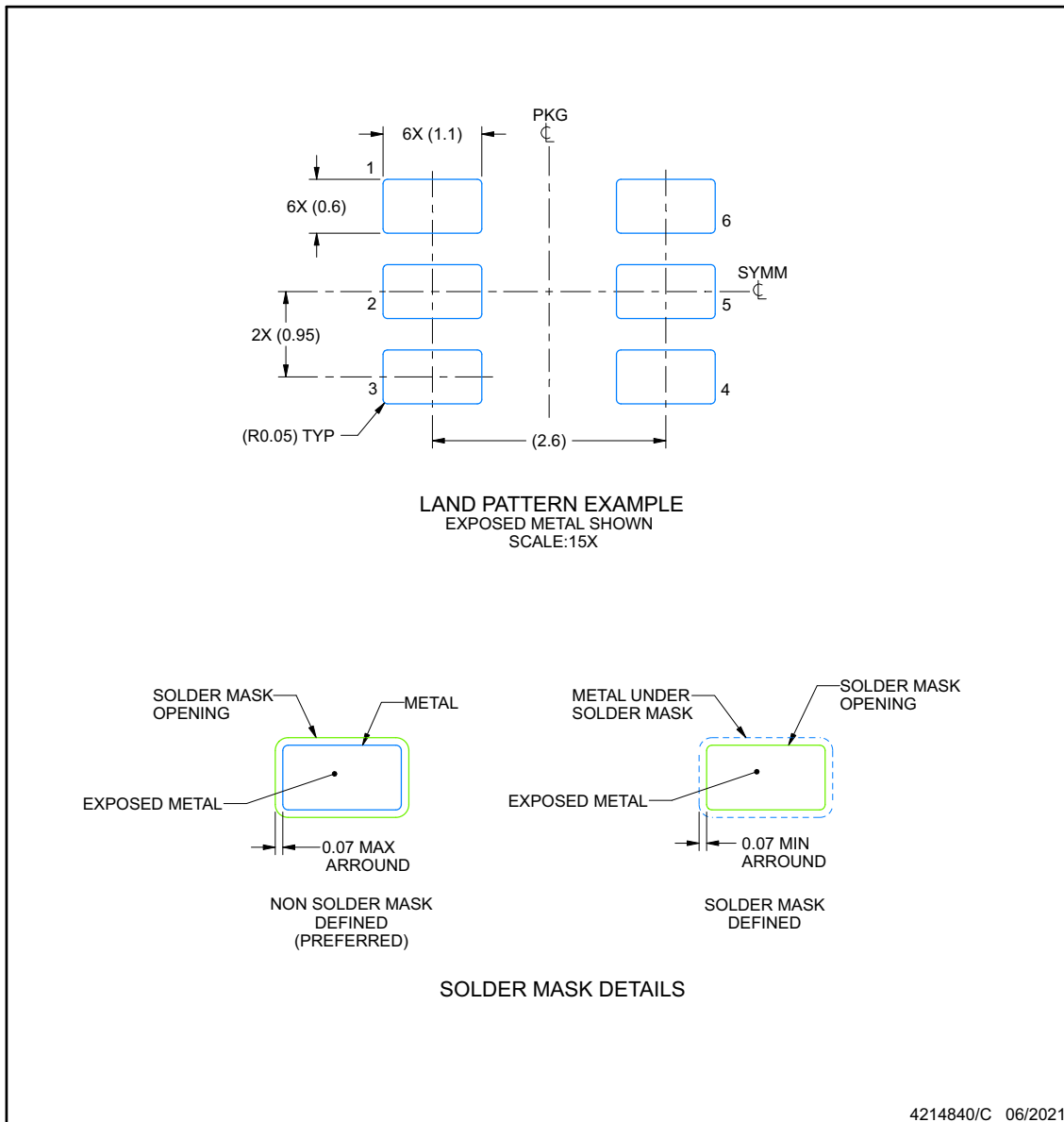
## EXAMPLE BOARD LAYOUT

**DBV0006A**

**SOT-23 - 1.45 mm max height**

SMALL OUTLINE TRANSISTOR

ADVANCE INFORMATION



NOTES: (continued)

- 6. Publication IPC-7351 may have alternate designs.
- 7. Solder mask tolerances between and around signal pads can vary based on board fabrication site.

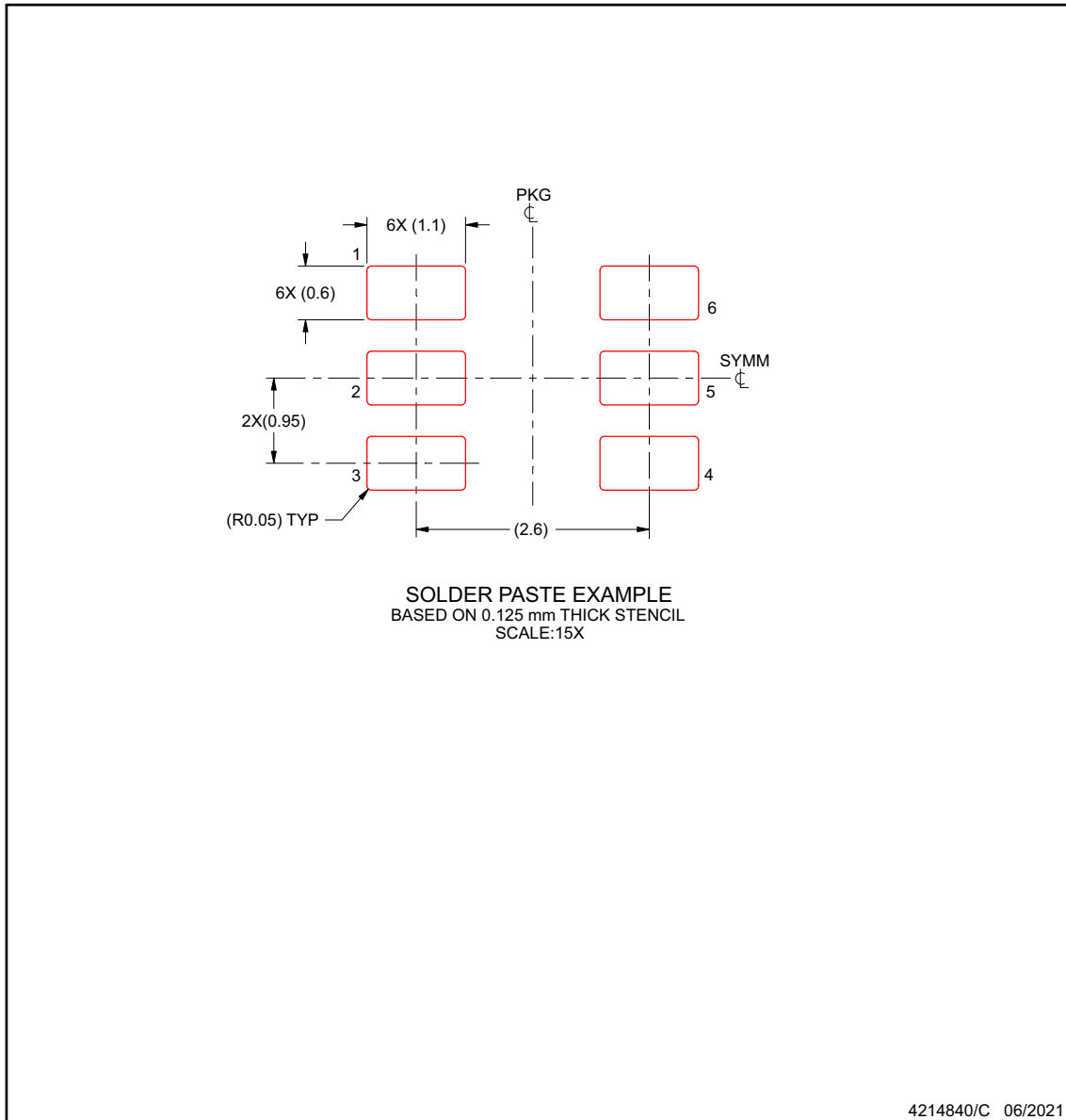


## EXAMPLE STENCIL DESIGN

**DBV0006A**

**SOT-23 - 1.45 mm max height**

SMALL OUTLINE TRANSISTOR



NOTES: (continued)

- 8. Laser cutting apertures with trapezoidal walls and rounded corners may offer better paste release. IPC-7525 may have alternate design recommendations.
- 9. Board assembly site may have different recommendations for stencil design.

ADVANCE INFORMATION

**PACKAGING INFORMATION**

Orderable Device	Status (1)	Package Type	Package Drawing	Pins	Package Qty	Eco Plan (2)	Lead finish/ Ball material (6)	MSL Peak Temp (3)	Op Temp (°C)	Device Marking (4/5)	Samples
PSN4599DBVRQ1	ACTIVE	SOT-23	DBV	6	3000	TBD	Call TI	Call TI	-40 to 125		Samples

(1) The marketing status values are defined as follows:

**ACTIVE:** Product device recommended for new designs.

**LIFEBUY:** TI has announced that the device will be discontinued, and a lifetime-buy period is in effect.

**NRND:** Not recommended for new designs. Device is in production to support existing customers, but TI does not recommend using this part in a new design.

**PREVIEW:** Device has been announced but is not in production. Samples may or may not be available.

**OBSELETE:** TI has discontinued the production of the device.

(2) **RoHS:** TI defines "RoHS" to mean semiconductor products that are compliant with the current EU RoHS requirements for all 10 RoHS substances, including the requirement that RoHS substance do not exceed 0.1% by weight in homogeneous materials. Where designed to be soldered at high temperatures, "RoHS" products are suitable for use in specified lead-free processes. TI may reference these types of products as "Pb-Free".

**RoHS Exempt:** TI defines "RoHS Exempt" to mean products that contain lead but are compliant with EU RoHS pursuant to a specific EU RoHS exemption.

**Green:** TI defines "Green" to mean the content of Chlorine (Cl) and Bromine (Br) based flame retardants meet JS709B low halogen requirements of <=1000ppm threshold. Antimony trioxide based flame retardants must also meet the <=1000ppm threshold requirement.

(3) MSL, Peak Temp. - The Moisture Sensitivity Level rating according to the JEDEC industry standard classifications, and peak solder temperature.

(4) There may be additional marking, which relates to the logo, the lot trace code information, or the environmental category on the device.

(5) Multiple Device Markings will be inside parentheses. Only one Device Marking contained in parentheses and separated by a "-" will appear on a device. If a line is indented then it is a continuation of the previous line and the two combined represent the entire Device Marking for that device.

(6) Lead finish/Ball material - Orderable Devices may have multiple material finish options. Finish options are separated by a vertical ruled line. Lead finish/Ball material values may wrap to two lines if the finish value exceeds the maximum column width.

**Important Information and Disclaimer:**The information provided on this page represents TI's knowledge and belief as of the date that it is provided. TI bases its knowledge and belief on information provided by third parties, and makes no representation or warranty as to the accuracy of such information. Efforts are underway to better integrate information from third parties. TI has taken and continues to take reasonable steps to provide representative and accurate information but may not have conducted destructive testing or chemical analysis on incoming materials and chemicals. TI and TI suppliers consider certain information to be proprietary, and thus CAS numbers and other limited information may not be available for release.

In no event shall TI's liability arising out of such information exceed the total purchase price of the TI part(s) at issue in this document sold by TI to Customer on an annual basis.

## IMPORTANT NOTICE AND DISCLAIMER

TI PROVIDES TECHNICAL AND RELIABILITY DATA (INCLUDING DATA SHEETS), DESIGN RESOURCES (INCLUDING REFERENCE DESIGNS), APPLICATION OR OTHER DESIGN ADVICE, WEB TOOLS, SAFETY INFORMATION, AND OTHER RESOURCES "AS IS" AND WITH ALL FAULTS, AND DISCLAIMS ALL WARRANTIES, EXPRESS AND IMPLIED, INCLUDING WITHOUT LIMITATION ANY IMPLIED WARRANTIES OF MERCHANTABILITY, FITNESS FOR A PARTICULAR PURPOSE OR NON-INFRINGEMENT OF THIRD PARTY INTELLECTUAL PROPERTY RIGHTS.

These resources are intended for skilled developers designing with TI products. You are solely responsible for (1) selecting the appropriate TI products for your application, (2) designing, validating and testing your application, and (3) ensuring your application meets applicable standards, and any other safety, security, regulatory or other requirements.

These resources are subject to change without notice. TI grants you permission to use these resources only for development of an application that uses the TI products described in the resource. Other reproduction and display of these resources is prohibited. No license is granted to any other TI intellectual property right or to any third party intellectual property right. TI disclaims responsibility for, and you will fully indemnify TI and its representatives against, any claims, damages, costs, losses, and liabilities arising out of your use of these resources.

TI's products are provided subject to [TI's Terms of Sale](#) or other applicable terms available either on [ti.com](https://www.ti.com) or provided in conjunction with such TI products. TI's provision of these resources does not expand or otherwise alter TI's applicable warranties or warranty disclaimers for TI products.

TI objects to and rejects any additional or different terms you may have proposed.

Mailing Address: Texas Instruments, Post Office Box 655303, Dallas, Texas 75265  
Copyright © 2024, Texas Instruments Incorporated